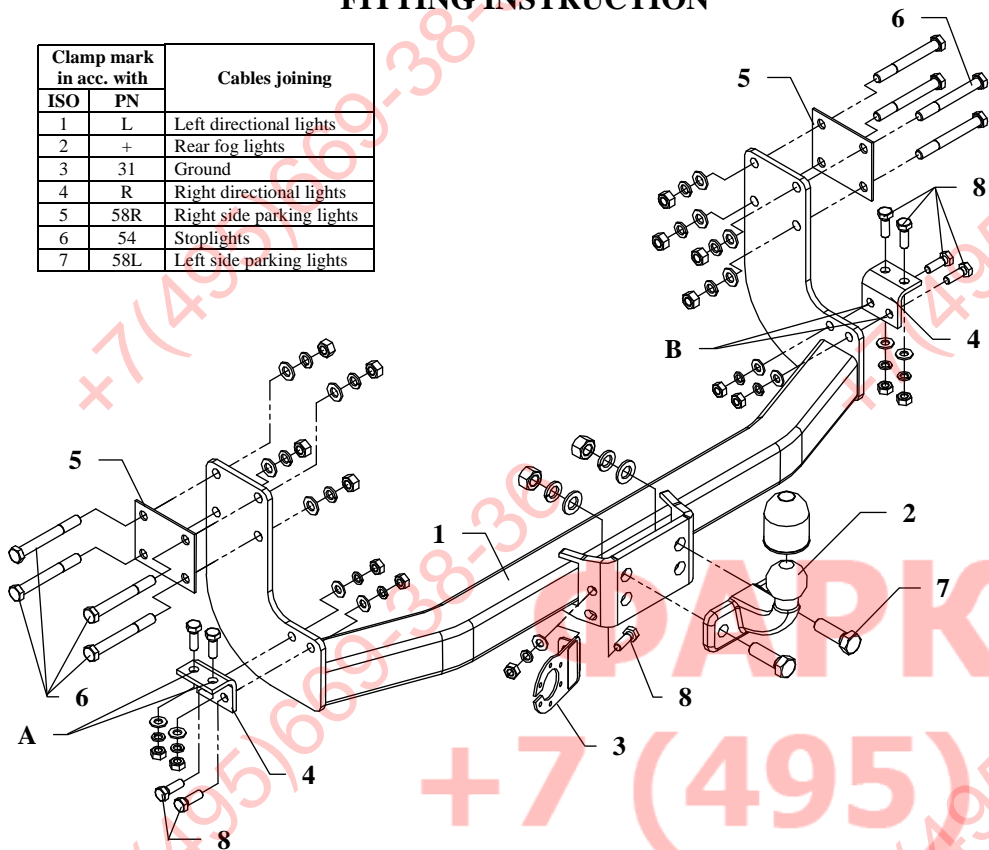


FITTING INSTRUCTION

| Clamp mark in acc. with | | Cables joining |
|-------------------------|-----|---------------------------|
| ISO | PN | |
| 1 | L | Left directional lights |
| 2 | + | Rear fog lights |
| 3 | 31 | Ground |
| 4 | R | Right directional lights |
| 5 | 58R | Right side parking lights |
| 6 | 54 | Stoplights |
| 7 | 58L | Left side parking lights |



- This towing hitch is designed to assembly in following cars:
- **MERCEDES SPRINTER** and **VW LT 28/46, 3,55/4,025 m, build-up, without footboard, single wheels**, produced since 1995 till 03.2006,
 - **MERCEDES SPRINTER** and **VW LT 28/46, 4,025m, build-up, without footboard, double wheels**, produced since 1995 till 03.2006, catalogue no. **D13** and is prepared to tow trailers max total weight **2800 kg** and max vertical mass **100 kg**.

From manufacturer

Thank you for buying our product. Their reliability has been confirmed in many tests. Reliability of towing hitch depends also on correct assembly and right operation. For this reasons we kindly ask to read carefully this instruction and apply to hints.

The towing hitch should be installing in points described by a car producer.

The instruction of the assembly

1. Put the main bar of the towing hitch (pos. 1) to the bottom part of the car and fix it through the flat fish-plates (pos. 5) using bolts M12x100mm (pos. 6) from the towing hitch accessories.
2. Apply angle fish-plates (pos. 4) and fix it through holes A to the chassis, and then fix it through holes B to the main bar of the towing hitch (pos. 1) using bolts M10x30mm (pos. 8) from the towing hitch accessories.
3. Fix tow-ball of the towing hitch (pos. 2) using bolts M16x50mm (pos. 7) from the towing hitch accessories.
4. Fix the socket plate (pos. 3) using bolts M10x30mm (pos. 8) as shown on the drawing.
5. Tighten all bolts according to the torque shown in the table.
6. Connect electric wires of 7-poles socket according to the instruction of the car. (Recommend to make at authorized service station).
7. Complete paint layer damaged during installation.

Torque settings for nuts and bolts (8,8):

| | | |
|--------------------|---------------------|---------------------|
| M6 - 11 Nm | M8 - 25 Nm | M10 - 50 Nm |
| M12 - 87 Nm | M14 - 138 Nm | M16 - 210 Nm |

NOTE

After install the towing hitch you should get adequate note in registration book (at authorised service station). The car should be equipped with:

- Indicators
- Tow mirrors

After 1000km of exploitation check all bolts and nuts. The ball of towing hitch must be always kept clear and conserve with a grease.

Towing hitch accessories:

| | | |
|-----------------------------------------------------|----------------------------------------------|------------------------------------------------|
| Pos. 1 Main bar PCS.: 1 | Pos. 6 Bolt 8,8 B M12x100mm PCS.: 8 | Pos. 12 Plain washer Ø17mm PCS.: 2 |
| | Pos. 7 Bolt 8,8 B M16x50mm PCS.: 2 | Pos. 13 Plain washer Ø12mm PCS.: 8 |
| Pos. 2 Tow ball PCS.: 1 | Pos. 8 Bolt 8,8 B M10x30mm PCS.: 9 | Pos. 14 Plain washer Ø10mm PCS.: 9 |
| Pos. 3 Socket plate PCS.: 1 | Pos. 9 Nut 8 B M16 PCS.: 2 | Pos. 15 Spring washer Ø16,3mm PCS.: 2 |
| Pos. 4 Angle fish-plate 60x50x40mm PCS.: 2 | Pos. 10 Nut 8 B M12 PCS.: 8 | Pos. 16 Spring washer Ø12,3mm PCS.: 8 |
| Pos. 5 Fish-plate 100x85x3mm PCS.: 2 | Pos. 11 Nut 8 B M10 PCS.: 9 | Pos. 17 Spring washer Ø10,2mm PCS.: 9 |
| | Pos. 18 Ball cover PCS.: 1 | |



PPUH AUTO-HAK S.J.

Produkcja Zaczepów Kulowych
Henryk & Zbigniew Nejman
76-200 SŁUPSK ul. Słoneczna 16K
tel/fax (059) 8-414-414; 8-414-413
E-mail: office@autohak.com.pl
www.autohak.com.pl

Towing hitch (without electrical set)

Class: **A50-X** Cat. no. **D13**

Designed for:

MERCEDES SPRINTER and
VW LT 28/46

Type: 3,55/4,025 m, build-up,
without footboard, single wheels
produced since 1995 till 03.2006
and designed for:

MERCEDES SPRINTER and
VW LT 28/46

Type: 4,025 m, build-up,
without footboard, double wheels
produced since 1995 till 03.2006

Technical data:

D-value: 13,7 kN

Max. trailer weight: **2800 kg**

Max. vertical cup mass: **100 kg**

Approval number acc. to regulations EKG/ONZ 55.01: **E20-55R-01 0735**

Foreword

This towing hitch is designed according to rules of safety traffic regulations. The towing hitch is a safety component and can be install only by qualified personnel. Any alteration or conversion of the towing hitch is prohibited and would lead to cancellation of design certification. Remove insulating compound and underseal from vehicle (if present) in the area of the matting surfaces of the towing hitch. The vehicle manufacturer's specifications regarding trailer mass and max. vertical cup mass are decisive for driving whereat values for the towing hitch cannot be exceeded.

D-value formula:

$$\frac{\text{Max trailer weight [kg]} \times \text{Max vehicle weight [kg]}}{\text{Max trailer weight [kg]} + \text{Max vehicle weight [kg]}} \times \frac{9,81}{1000} = D \text{ [kN]}$$